

249 Superline

Features



- Simple to fabricate
- Security glazing with beads on inside
- Accepts glass from 6 - 10mm
- Wide stiles accept mortice locks
- Glazing method best suited to Superline framing.

Specifications

Hinged and Pivot doors

Maximum recommended size : 2400 high x 1000 wide

Sliding door

Maximum recommended size : 2400 high x 2500 wide (depending on track system and door weight.)

Track Systems:

1021 1022 1026 1027 1030 1031

Glass:

6mm to 10mm nominal thickness

Glazing method:

Flush glazed with horizontal beads inside. Roll-in PVC wedges both sides. Adjustable setting block in top rails.

Midrails:

44mm, 50mm, 124mm, 200mm

Hardware:

Assembly Package:

MSD1030E suits Deep/Deep pocket

MSD1029E suits Deep/Shallow pocket

Locks Lockwood 590 or similar
Mortice locks

Flushbolts P/No M981904BK

Hinges Butt and Fast-Fix

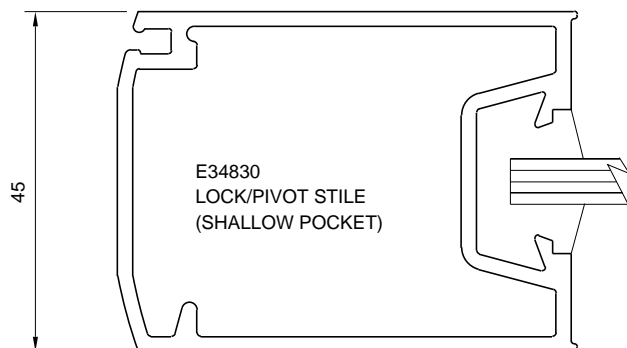
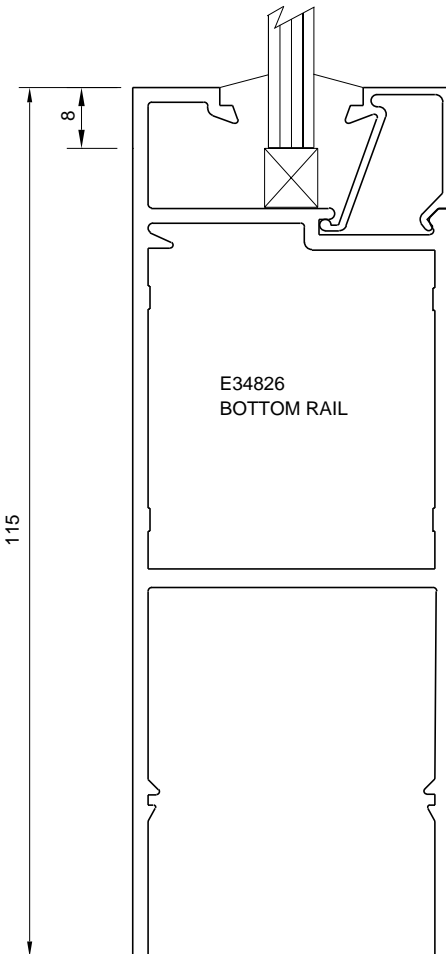
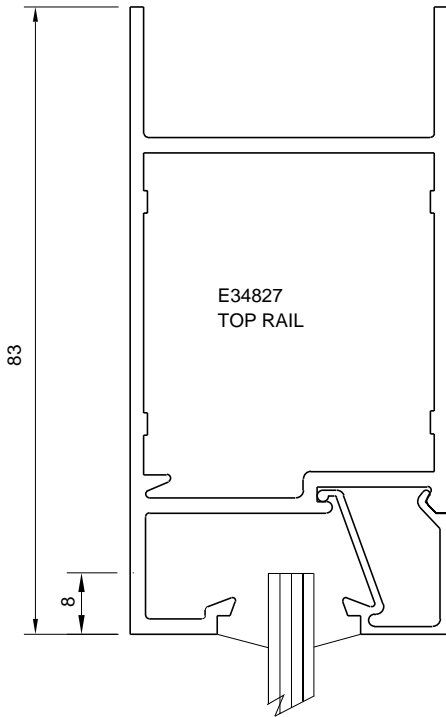
Pivots Centre and off-set

Handles Type "G" Pull/Pull

Closers COC and Surface mounted Floor springs

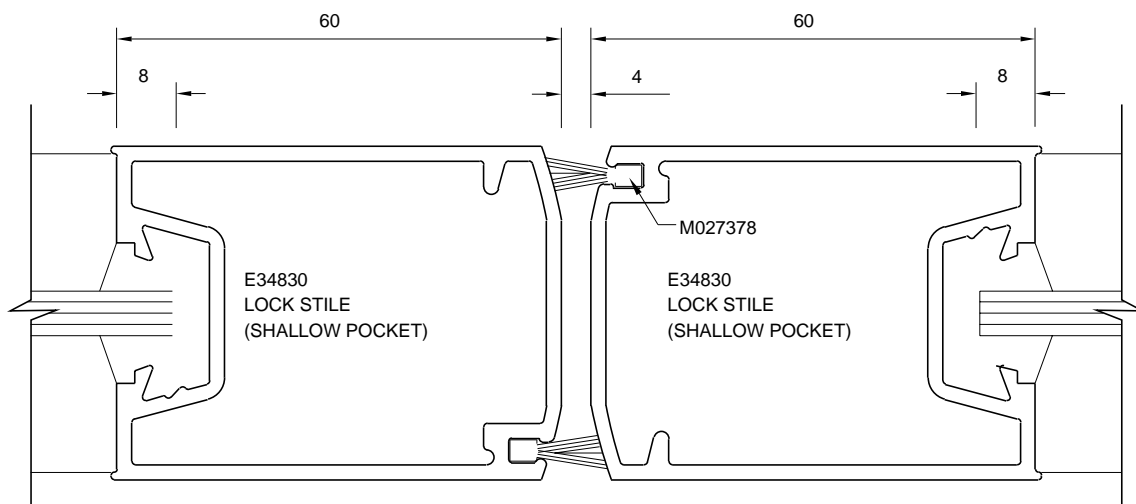
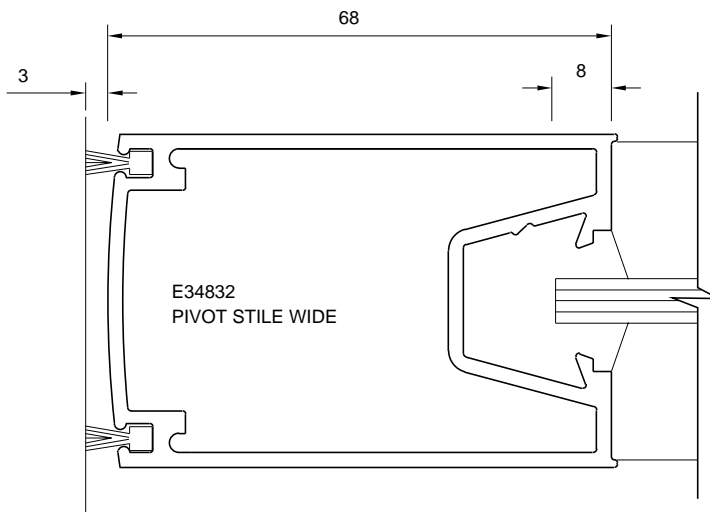
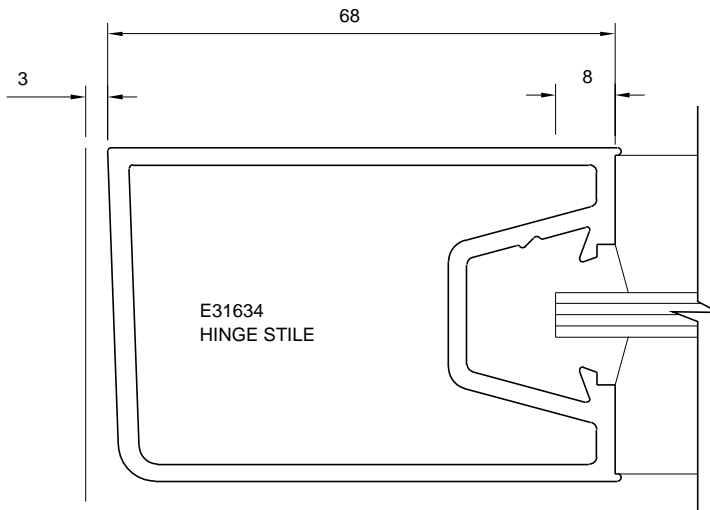
AGS

Full size sections



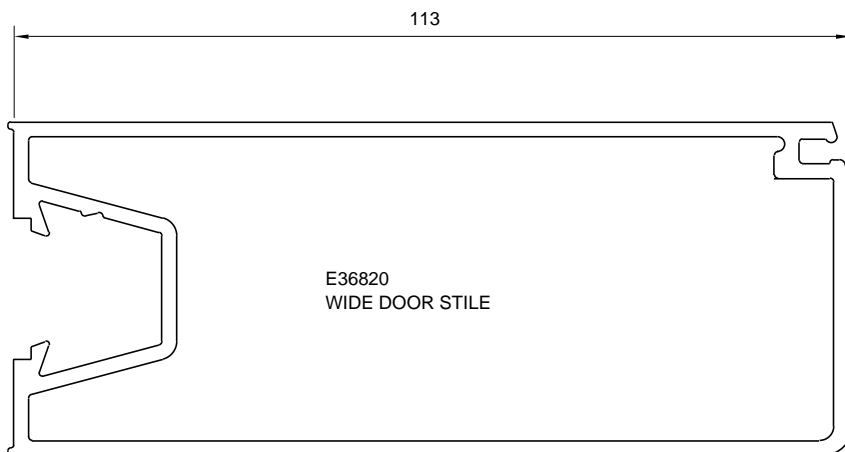
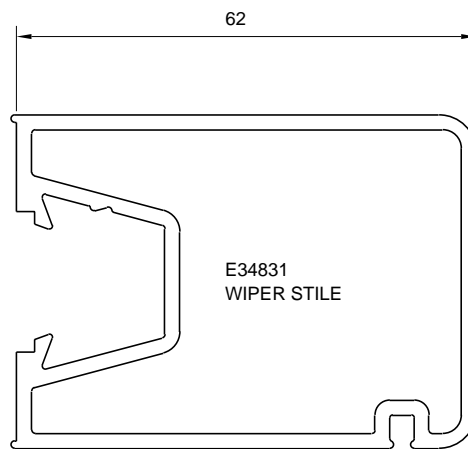
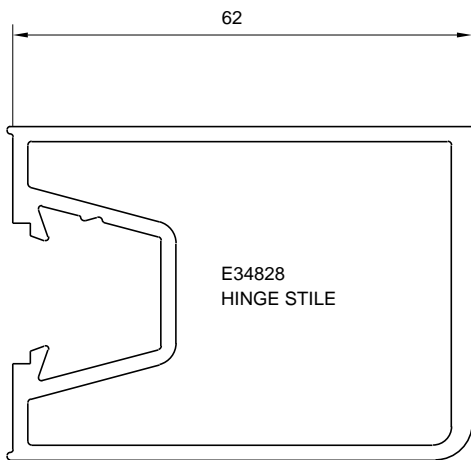
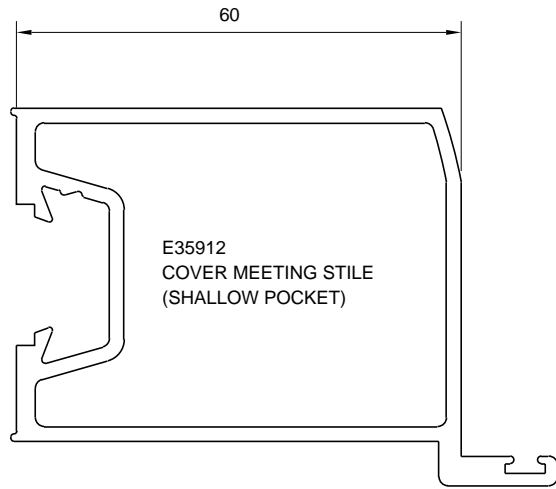
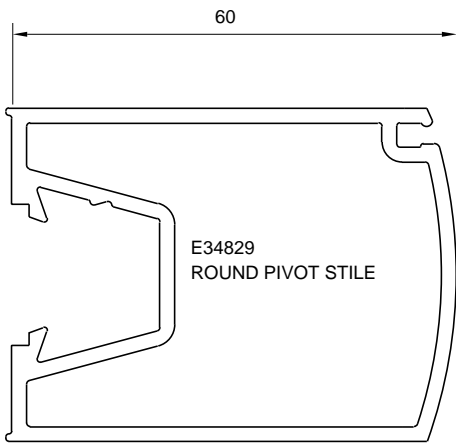
REF: 249F04

Full size sections (cont)



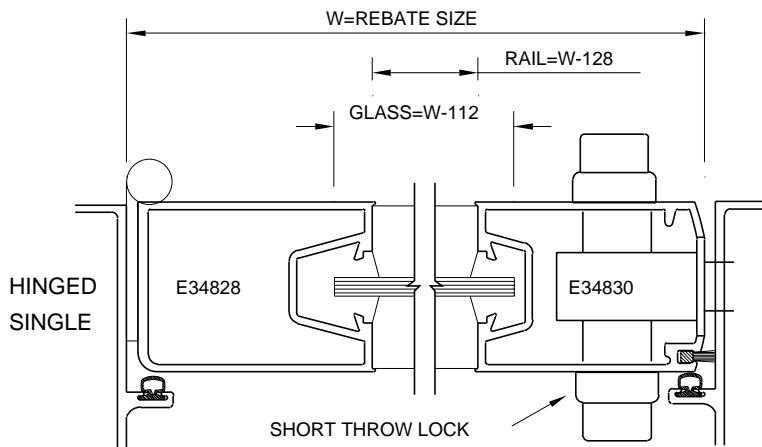
REF: 249F01

Full size sections (cont)



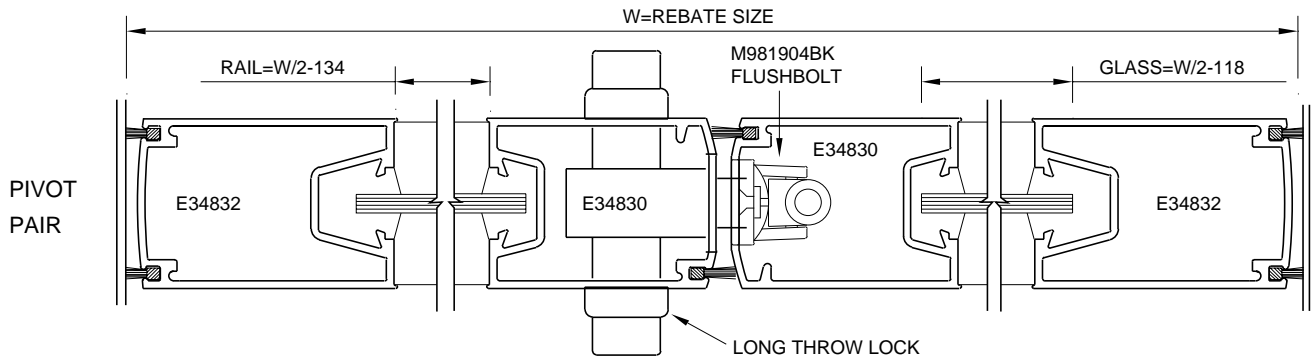
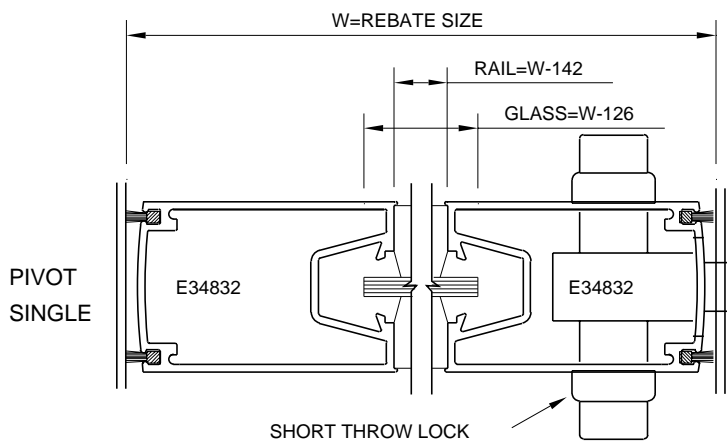
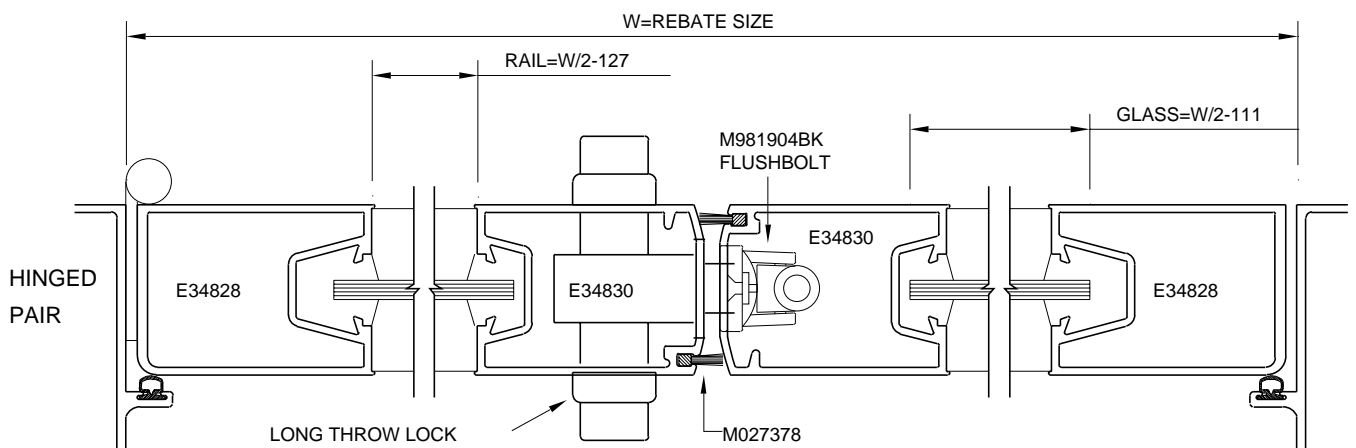
REF: 249F05

Half size assembly



Note:

Clearances are 3mm at jambs and 4mm between pairs.
The use of other hardware or seals may alter these sizes.



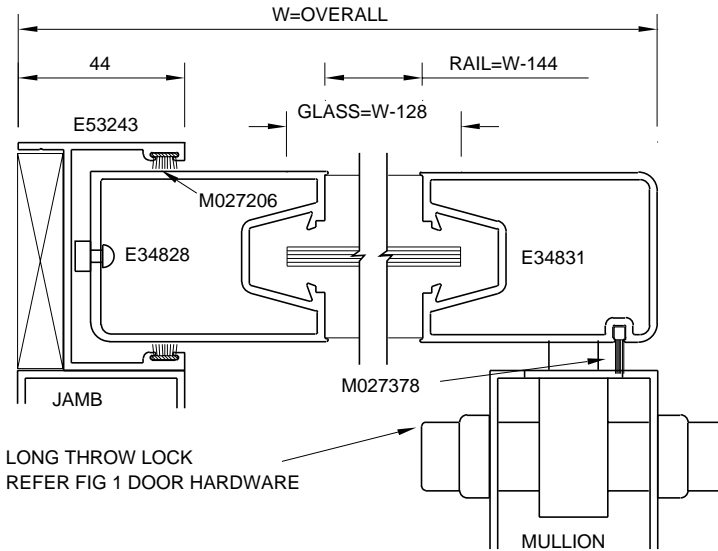
REF: 249H01

Half size assembly (cont)

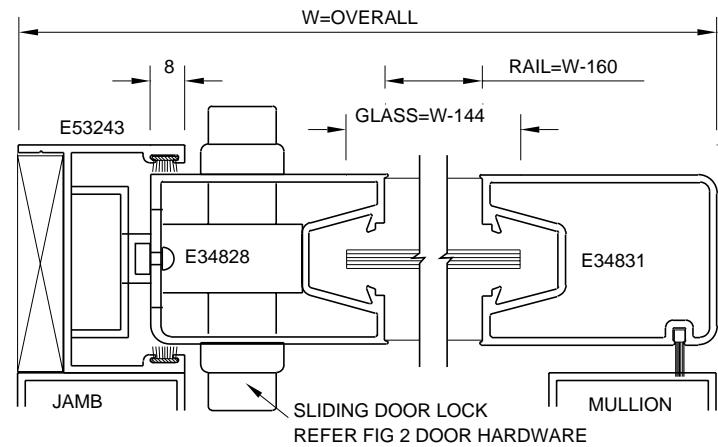
Note:

Clearances are suggested only for these basic configurations. The use of other track configurations and hardware may alter sizes.

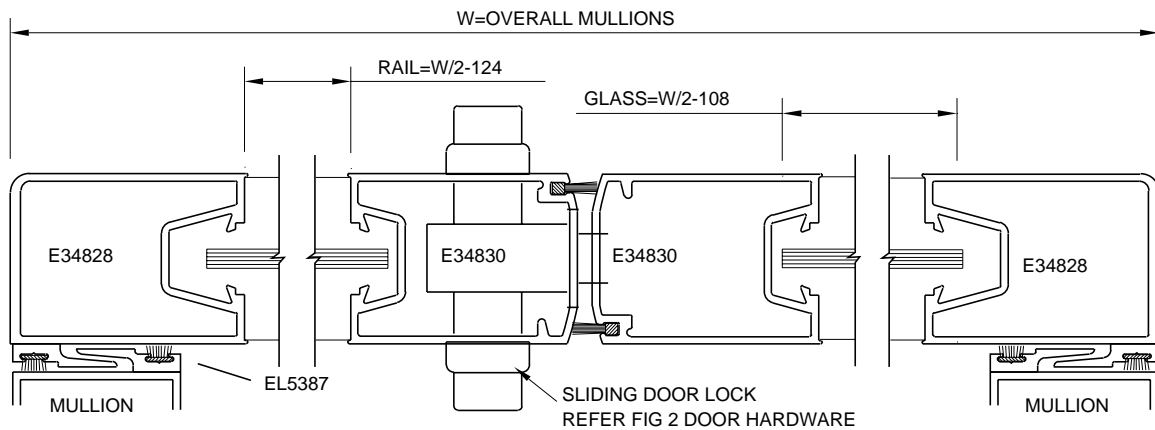
SLIDING
SINGLE
MULLION
LOCKING



SLIDING
SINGLE
JAMB
LOCKING

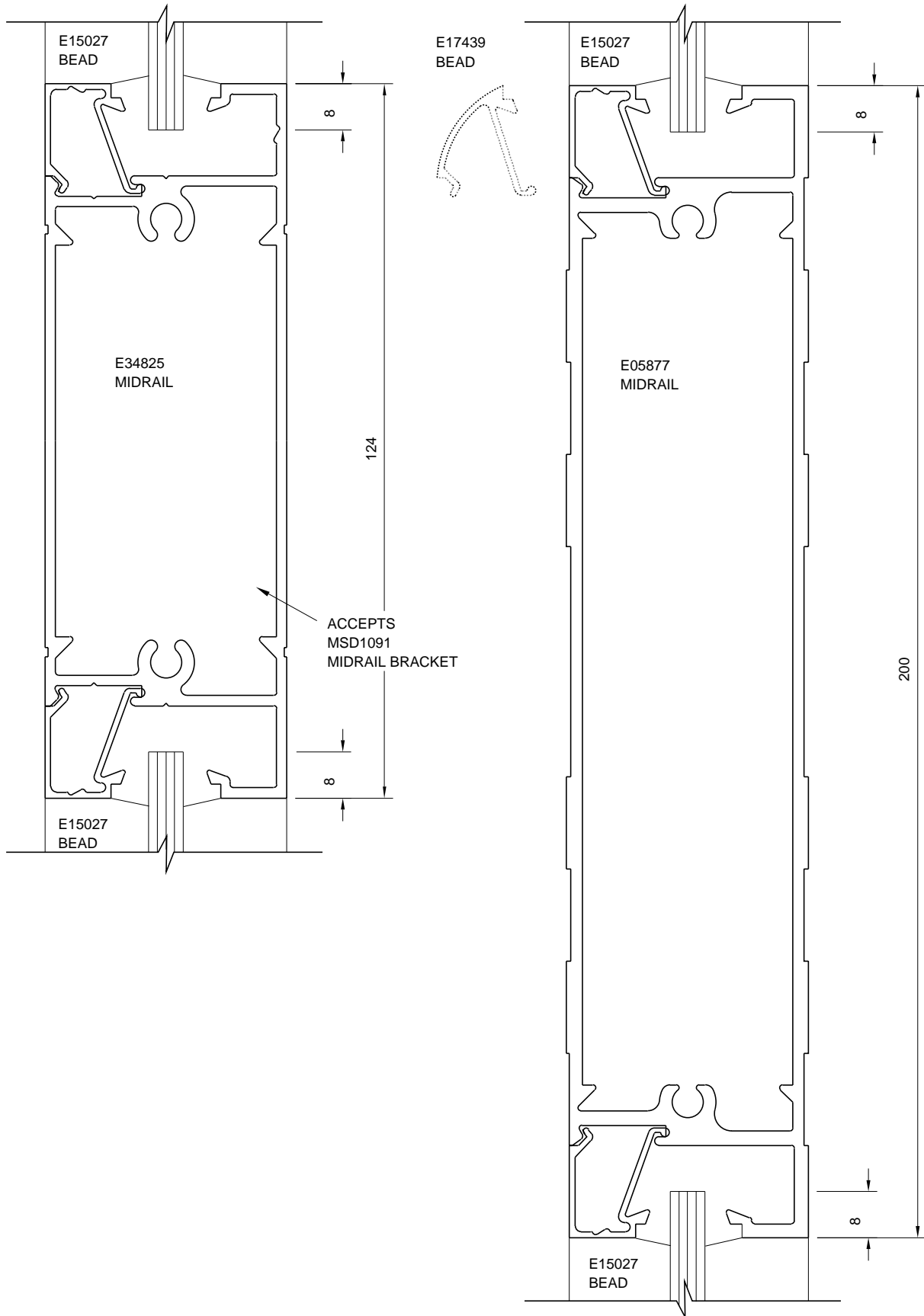


SLIDING
PAIR



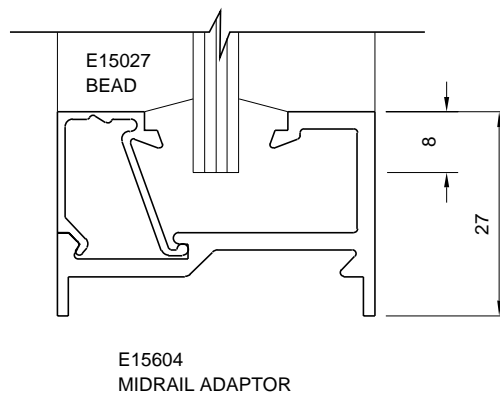
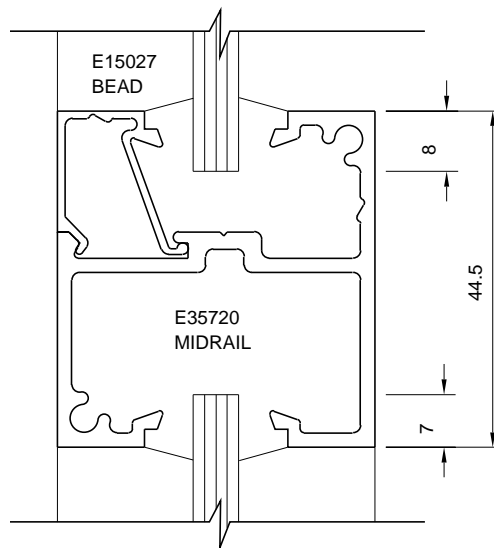
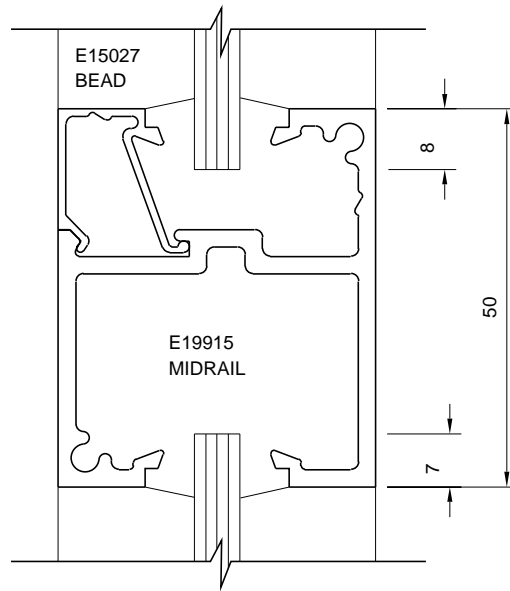
REF: 249H02

Midrails



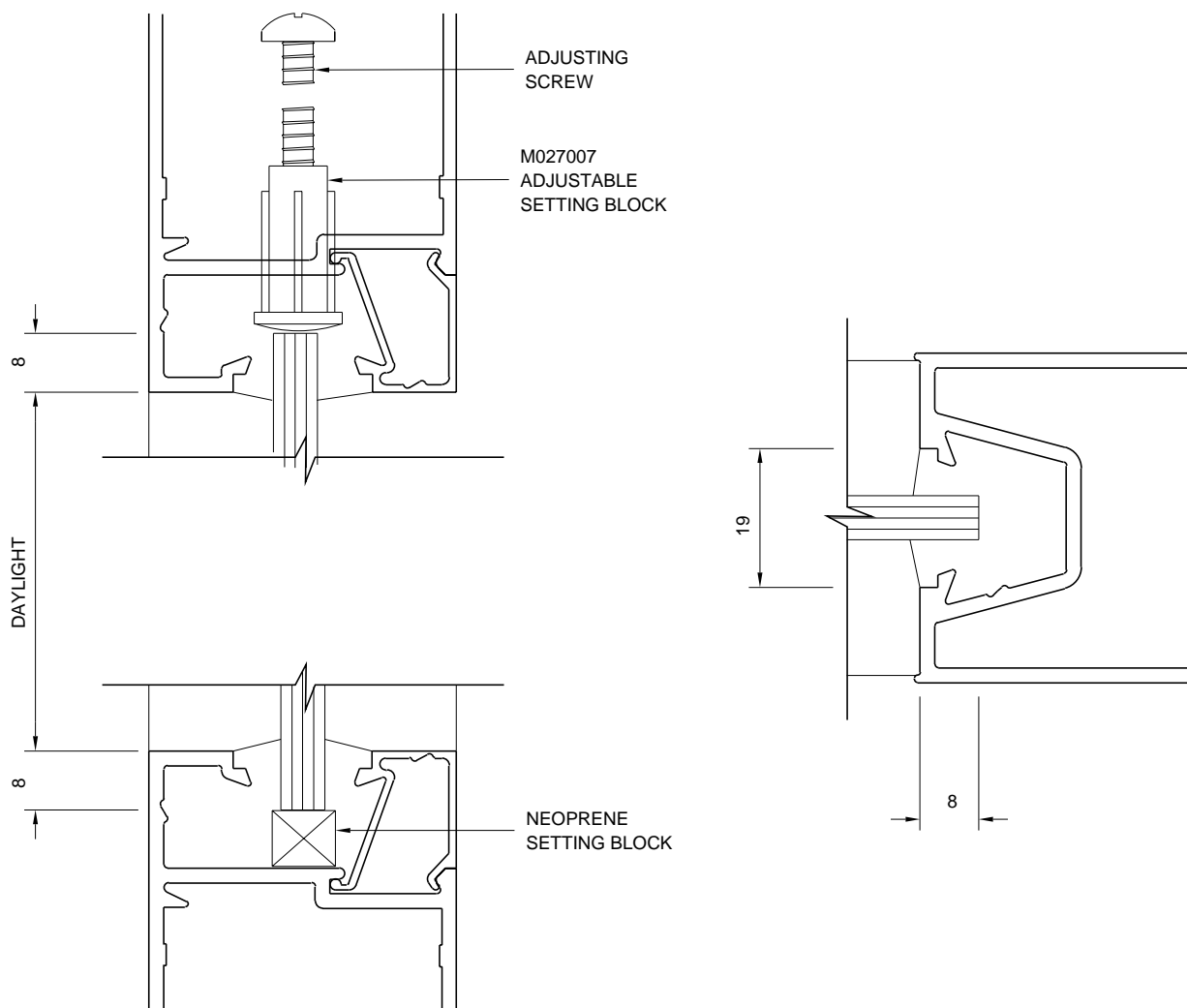
REF: 249F01

Midrails (cont)



REF: 249F06

Glazing details



Method:

Snap-on beads on top and bottom rail. Adjustable setting block in top rails.

Glass:

6-10mm nominal thickness

Glass cutting size:

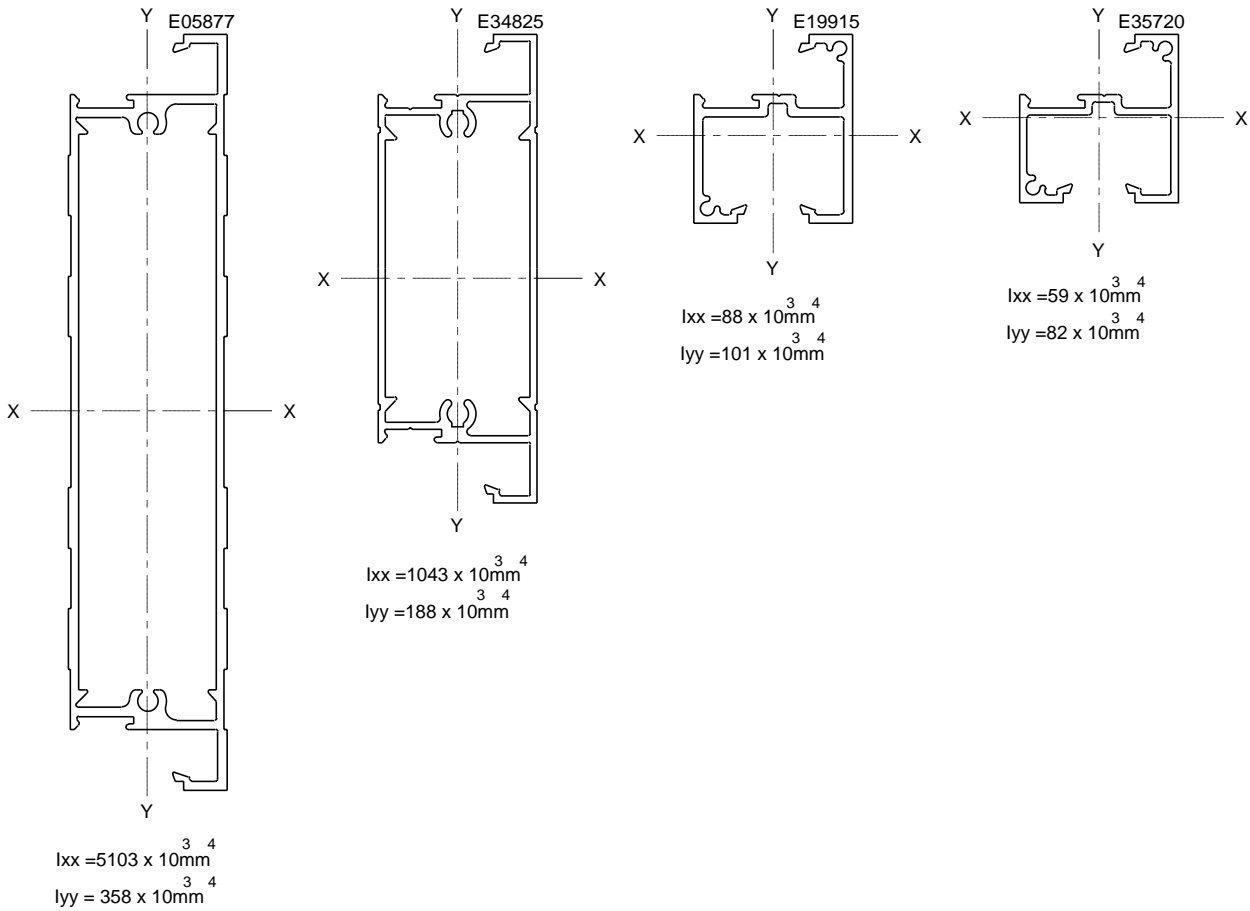
Height = daylight + 16

Width = daylight + 16

Wedge selection:

6mm glass M027119 + M027119

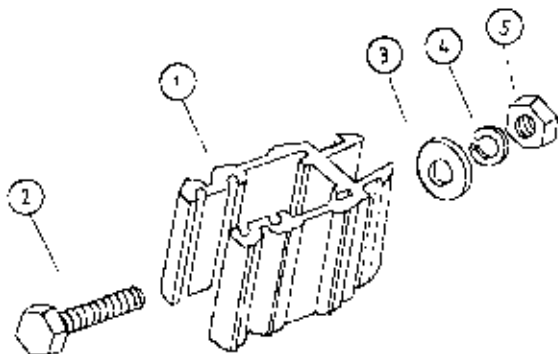
Structural details



Hardware

MSD1029E Deep/Shallow pocket package

Package contains the following items (not sold as individual parts).



Item	Qty	Description of Item
1	2	Corner Clip 45 long
1	2	Corner Clip (shortened leg)
2	2	Bolt 45mm x 3/8" Hex
2	2	Bolt 38mm x 3/8" Hex
3	4	Flat Washer 3/8"
4	4	Spring Washer 3/8"
5	4	Hex Nut 3/8"

MSD1030E Deep/Deep pocket package

Package contains the following items (not sold as individual parts).

Item	Qty	Description of Item
1	4	Corner Clip 45 long
2	4	Bolt 45mm x 3/8" Hex
3	2	Flat Washer 3/8"
4	4	Spring Washer 3/8"
5	4	Hex Nut 3/8"



